

# RC101 VELOCITY

Rigid Core Luxury Plank with COREX™

Product Guide



 PHENIX

A pharr FAMILY COMPANY

For more information visit: <http://www.phenixflooring.com/hard-surfaces>

# RC101 Velocity Lifetime Limited Residential Warranty

## Overview

1. Scope of application
2. Warranties
  - 2.1. Wear Warranty
  - 2.2. Structural Warranty
  - 2.3. Radiant-heated subfloor installation warranty
  - 2.4. Moisture warranty
3. Exclusions and conditions
  - 3.1. General exclusions and conditions
4. What you should do
5. What we will do

## 1. Scope of application

This residential use warranty is offered by us and is Worldwide applicable. This warranty applies to our vinyl flooring and thermoplastic composite flooring, purchased from authorized dealer and installed and used residentially. Residential use is defined as normal household use.

## 2. Warranties

### 2.1 Wear warranty

We warrant to the original purchaser that the wear layer on our flooring:

- Will not wear through the decorative surface. Scratches, indentation or reduction in gloss level is not considered wear.
- Will not stain from normal household consumable items such as food or drink.
- Will not stain from pet (domestic cat or dog) stains, including urine, feces and vomit, providing it is immediately cleaned upon discovery. Stain resistance means the ability of the floor to resist (i.e. minimize or withstand) permanent stains for the warranty period.
- Will not fade as a result of direct sunlight or household lighting.
- Will be resistant to damage from normal household spills.
- In its original manufactured conditions, will be free from manufacturing defects. Starting from the date of purchase, but only if no exclusions are applicable and only if all conditions are fulfilled.

### 2.2 Structural warranty

We warrant the original purchaser that our flooring:

- Will not delaminate.
- In its original manufactured condition, will be free from manufacturing defects. Starting from the date of purchase, but only if no exclusions are applicable and only if all conditions are fulfilled.

### 2.3 Installation over a radiant-heated subfloor warranty

We warrant to the original purchaser starting from the date of purchase, the floor can be installed over a radiant-heated subfloor, but only if no exclusions are applicable and only if all conditions are fulfilled. This radiant-heated subfloor warranty is only applicable when at least the following cumulative requirements are fulfilled.

- The radiant heating system has to be a water pipe radiant heating system (this means for example that we do not warrant installation over electrical radiant heating systems).
- The radiant heating system must incorporate electronic temperature controls.
- Before installing over newly constructed radiant heat systems, operate the system at maximum capacity to force any residual moisture from the cementitious topping of the radiant heat system. Then set the thermostat to a comfortable room temperature for the installation. It is recommended that the radiant heat be applied in a gradual manner after installing the flooring. Refer to the radiant heat system's manufacturer recommendations for additional guidance.
- The surface temperature of the system does not exceed 81 degrees Fahrenheit (27 degrees Celsius).

### 2.4 Moisture warranty

We warrant that all vinyl flooring and thermoplastic composite flooring in its original manufactured state to the original purchaser from the date of purchase, under normal and reasonable use, and the surface, when properly installed, shall be resistant to damage from mopping or normal household spills. This means planks or tiles will not swell, buckle or lose integrity. The moisture warranty does not cover flooding, leaking pipes, household mechanical failures, appliance leaks. Any damage to the subfloor and/or surrounding structure that is caused by standing water or flooding is not covered by this warranty.

### 3. Exclusions and conditions

#### 3.1 General exclusions and conditions

- Damage arising by not following relevant installation (for example installation on an unlevelled subfloor and installation when there is not sufficient perimeter expansion zone), care, maintenance and use instructions of the present warranty and the installation instructions provided.
- Damage arising because the flooring is exposed to extreme cold (beneath 0 degrees Fahrenheit/10 degrees Celsius), extreme heat (above 140 degrees Fahrenheit/40 degrees Celsius).
- Damage caused by exposure to excessive moisture (for example excessive moisture in a concrete slab, excessive moisture from hydrostatic pressure, flooding, standing water, water underneath the flooring, excessive moisture as the result of malfunctioning appliances such as dishwashers, ice makers, refrigerators, sinks, pipes).
- Damage caused by spills which are not removed promptly.
- Normal wear and tear of the flooring, normal changes in color, gloss, grain pattern and tone (this is normal for flooring as it ages).
- Damage arising because the flooring is not used under normal conditions (for example installed in an outdoor area, a solarium, a porch, a garage or areas similar to all of these).
- Damage arising from accidents, abuse, misuse, or the use of strong chemicals.
- Differences in aspect, color, gloss, grain pattern and tone with the reference flooring sample in for example the store or showroom.
- Flooring that has been damaged or neglected during transportation.
- Scratches, marks, stains and other damage caused by exposure to “abrasives” such as pebbles, grit, sand, high heeled shoes, furniture, vacuum cleaner beater bars, hard plastics, or metal caster wheel, etc.
- Indentations and damage to click joints or indentation due to heavy rolling loads.
- Damage of planks coming apart at the seams because they have been engaged/disengaged more than three times.
- Damage caused by the collections of dirt and moisture at entrances do due the lack of interior and exterior doormats.
- Damage caused by walking on with spike-or stiletto-heeled shoes and damage caused by shoes having heeltaps or sharp objects protruding from the sole such as rocks, exposed nails and gravel.
- Damage caused by sliding or rolling heavy objects on the floor. A solid protective covering must be laid (must use at least 14” hard board) on your floor and gently “walk” the item a cross it. Carpet or cardboard is not adequate to prevent surface indentation or roller marks from occurring or scratches on the floor.
- Damage caused by non-compliant casters on furniture. Barrel- type caster wheels or wide, flat glides are best for protecting the floor. For areas with rolling chairs (e.g. desk area), ensure a protective mat is used under the chair.
- Damage caused by hard narrow furniture rollers. They must be replaced with wide rubber rollers.

This warranty is valid only to the original purchaser. It is not transferable and only applicable to the first installation of the flooring. The affected area must be visible and cover an area bigger than one square inch. This warranty does not apply to any products designated as B grade, cabin grades, closeouts, seconds, factory special, non-standard items and flooring sold “as is”.

It is the responsibility of the purchaser and the installer, whether they are professionals or a do-it-yourselfers, to inspect all flooring and flooring accessories before installation. If during inspection the purchaser or the installer knows/discovers, or can reasonably be supposed to know/discover (for example when the default is visible), that the flooring has a visible manufacturing issue, do not install the flooring. Please immediately contact the retailer from which the flooring was purchased. No claims will be accepted for flooring of which the purchaser or installer knew/discovered, or can reasonably be supposed to have known/discovered, that there was something wrong with it. In such case we only warrant the part of the flooring which has not been installed yet.

We do not allow or authorize any other person or entity to alter the obligations and limitations in this warranty. This warranty is the complete and exclusive expression of our warranty and is in lieu of all other express and/or statutory warranties. Any implied warranties, including but not limited to the implied warranties, merchantability and fitness for a particular purpose are limited to this express warranty. However, some jurisdictions do not allow exclusion or limitation on how an implied warranty lasts, so the above limitation or exclusion may not apply to you.

We expressly exclude and will not pay consequential or incidental damages under this warranty. By this we mean for example loss, expense, inconvenience or damages, other than to the flooring itself, that may result from a defect in the flooring. However, some jurisdictions do not allow exclusion or limitation of incidental or consequential damages, so the above limitation or exclusion may not apply to you.

We reserve the right to inspect the flooring and to remove samples for additional evaluation, if we consider this necessary. Any attempt to repair or replace the flooring without our consent will void this warranty.

The failure of either party to enforce any of the provisions of this warranty agreement shall not be construed as a waiver of such provision or a waiver of the right of any party thereafter to enforce each and every

provision. This warranty gives you specific legal rights and you may also have other rights which vary from jurisdiction to jurisdiction. We will always respect these other rights. No implied warranties extend beyond the term of this written warranty.

#### 4. What you should do if any of the above listed problems occur

You should notify the original dealer of the defect within 30 calendar days after you know/discover the defect and within the validity period of this warranty. Your dealer can answer your questions and, if necessary, start to process a claim. If your notification takes place outside this period, our warranty will not be applicable. In order to enjoy the warranty, you are obligated to present:

- A valid proof of purchase in the form of the sales receipt for the flooring and other accessories related to the installation which may affect the installation quality such as but not limited to adhesive, molding, underlay, moisture barrier, molding, etc.
- A detailed description of the defect and/or a photograph or sample of the flooring that clearly shows the defect. Provide additional information requested by the factory to understand the root cause of the issue.

#### 5. What we will do

If we honor a claim under this warranty, we will - at our sole discretion - repair or refinish the defective material or we will refund the price of the flooring. If the flooring was originally installed by a certified professional installer and if there is a justified claim within the first 36 months from the date of the original purchase, we will also pay the reasonable labor costs to perform the repair or replacement. This repair or replacement or refund will be a pro-rated percentage cost of the flooring and labor cost. This percentage is determined by the number of years remaining on the warranty and the length of the warranty. For example, if the claim is made 3 years after purchase on flooring warranted for 15 years, then 80% (12/15th) of the flooring cost will be considered.

For Lifetime limited warranty products, the pro-rated warranty will apply for the first 30 years after the date of purchase. After those 30 years and until 50 years, the repair, replacement or refund will be maximum 5% of the original flooring purchase amount.

This warranty is limited to the designs, colors, structures and styles available at the time of repair or replacement. If the original is no longer available, we have the right to substitute another design, color, structure and style that is similar to the original and that has a similar value. We will always try to take into account the wish of the customer.

# RC101 Velocity 10 Year Commercial Use Warranty

## Overview

1. Scope of application
2. Warranties
  - 2.1. Wear Warranty
  - 2.2. Structural Warranty
  - 2.3. Radiant-heated subfloor installation warranty
  - 2.4. Moisture warranty
3. Exclusions and conditions
  - 3.1. General exclusions and conditions
4. What you should do
5. What we will do

### 1. Scope of application

This commercial use warranty is offered by us and is Worldwide applicable. This warranty applies to our vinyl flooring and thermoplastic composite flooring, purchased from authorized dealer and installed and used in commercial area. Commercial area is defined as: use in environments (which do not experience heavy commercial traffic) such as those outlined in the application table below. Applications considered “industrial” do not qualify for warranty coverage.

Examples of business type commercial use	Recommended application
Med clinic, retirement centers, Doctor’s offices, hospice, assisted living.	All non-required “clean room” areas – Corridors, patient rooms, lobby, waiting rooms, cafeteria, exam rooms, common areas.
Professional offices (i.e. accountants, lawyers, etc.), banks.	Offices, hallways, lobby, reception areas, break rooms, conference rooms.
Boutiques, retail store, art galleries, book-stores, coffee shops, gift shops, jewellery stores, beauty salons, barber shops.	Dressing rooms, entire store.
Apartments, condos, military housing.	Any room in these segments will be suitable, including common areas excluding bathrooms.
Hotel, motel, restaurants.	Guest rooms, lobby, hallways, elevator.
Day-care, school, universities, libraries.	Dorms, common areas, cafeterias, class rooms, auditoriums, libraries (excluding gymnasiums).

### 2. Warranties

#### 2.1 Wear warranty

We warrant to the original purchaser that the wear layer on our flooring:

- Will not wear through the decorative surface. Scratches, indentation or reduction in gloss level is not considered wear.
- Will not fade as a result of direct sunlight or normal indoor lighting.
- In its original manufactured condition, will be free from manufacturing defects.

Starting from the date of purchase, but only if no exclusions are applicable and only if all conditions are fulfilled.

#### 2.2 Structural warranty

We warrant the original purchaser that our flooring:

- Will not delaminate.
- In its original manufactured condition, will be free from manufacturing defects.

Starting from the date of purchase, but only if no exclusions are applicable and only if all conditions are fulfilled.

### 2.3 Installation over a radiant-heated subfloor warranty

We warrant to the original purchaser starting from the date of purchase, the floor can be installed over a radiant-heated subfloor, but only if no exclusions are applicable and only if all conditions are fulfilled. This radiant-heated subfloor warranty is only applicable when at least the following cumulative requirements are fulfilled.

- The radiant heating system has to be a water pipe radiant heating system (this means for example that we do not warrant installation over electrical radiant heating systems).
- The radiant heating system must incorporate electronic temperature controls.
- Before installing over newly constructed radiant heat systems, operate the system at maximum capacity to force any residual moisture from the cementitious topping of the radiant heat system. Then set the thermostat to a comfortable room temperature for the installation. It is recommended that the radiant heat be applied in a gradual manner after installing the flooring. Refer to the radiant heat system's manufacturer recommendations for additional guidance.
- The surface temperature of the system does not exceed 81 degrees Fahrenheit (27 degrees Celsius).

### 2.4 Moisture warranty

We warrant that all vinyl flooring and thermoplastic composite flooring in its original manufactured state to the original purchaser from the date of purchase, under normal and reasonable use, and the surface, when properly installed, shall be resistant to damage from mopping or normal household spills. This means planks or tiles will not swell, buckle or lose integrity. The moisture warranty does not cover flooding, leaking pipes, household mechanical failures, appliance leaks. Any damage to the subfloor and/or surrounding structure that is caused by standing water or flooding is not covered by this warranty.

## 3. Exclusions and conditions

### 3.1 General exclusions and conditions

- Damage arising by not following relevant installation (for example installation on an unlevelled subfloor and installation when there is not sufficient perimeter expansion zone), care, maintenance and use instructions of the present warranty and the installation instructions provided.
- Damage arising because the flooring is exposed to extreme cold (beneath 50 degrees Fahrenheit/10 degrees Celsius), extreme heat (above 100 degrees Fahrenheit/40 degrees Celsius).
- Damage caused by exposure to excessive moisture (for example excessive moisture in a concrete slab, excessive moisture from hydrostatic pressure, flooding, standing water, water underneath the flooring, excessive moisture as the result of malfunctioning appliances such as dishwashers, ice makers, refrigerators, sinks, pipes).
- Damage caused by spills which are not removed promptly.
- Normal wear and tear of the flooring, normal changes in color, gloss, grain pattern and tone (this is normal for flooring as it ages).
- Damage arising because the flooring is not used under normal conditions (for example installed in an outdoor area, a solarium, a porch, a garage or areas similar to all of these).
- Damage arising from accidents, abuse, misuse, or the use of strong chemicals.
- Differences in aspect, color, gloss, grain pattern and tone with the reference flooring sample in for example the store or showroom.
- Flooring that has been damaged or neglected during transportation.
- Scratches, marks, stains and other damage caused by exposure to "abrasives" such as pebbles, grit, sand, high heeled shoes, furniture, vacuum cleaner beater bars, hard plastics, or metal caster wheel, etc.
- Indentations and damage to click joints or indentation due to heavy rolling loads.
- Damage of planks coming apart at the seams because they have been engaged/disengaged more than three times.
- Damage caused by the collections of dirt and moisture at entrances do due the lack of interior and exterior doormats.
- Damage caused by walking on with spike-or stiletto-heeled shoes and damage caused by shoes having heeltaps or sharp objects protruding from the sole such as rocks, exposed nails and gravel.
- Damage caused by sliding or rolling heavy objects on the floor. A solid protective covering must be laid (must use at least 1/4" hard board) on your floor and gently "walk" the item across it. Carpet or cardboard is not adequate to prevent surface indentation or roller marks from occurring or scratches to the floor.
- Damage caused by non-compliant casters on furniture. Barrel- type caster wheels or wide, flat glides are best for protecting the floor. For areas with rolling chairs (e.g. desk area), ensure a protective mat is used under the chair.

- Damage caused by hard narrow furniture rollers. They must be replaced with wide rubber rollers.

This warranty is valid only to the original purchaser. It is not transferable and only applicable to the first installation of the flooring. The affected area must be visible and cover an area bigger than one square inch. This warranty does not apply to any products designated as B grade, cabin grades, closeouts, seconds, factory special, non-standard items and flooring sold "as is".

It is the responsibility of the purchaser and the installer, whether they are professionals or a do-it-yourselfers, to inspect all flooring and flooring accessories before installation. If during inspection the purchaser or the installer knows/discovers, or can reasonably be supposed to know/discover (for example when the defect is visible), that the flooring has a visible manufacturing issue, do not install the flooring. Please immediately contact the retailer from which the flooring was purchased. No claims will be accepted for flooring of which the purchaser or installer knew/discovered, or can reasonably be supposed to have known/discovered, that there was something wrong with it. In such case we only warrant the part of the flooring which has not been installed yet.

We do not allow or authorize any other person or entity to alter the obligations and limitations in this warranty. This warranty is the complete and exclusive expression of our warranty and is in lieu of all other express and/or statutory warranties. Any implied warranties, including but not limited to the implied warranties, merchantability and fitness for a particular purpose are limited to this express warranty. However, some jurisdictions do not allow exclusion or limitation on how an implied warranty lasts, so the above limitation or exclusion may not apply to you.

We expressly exclude and will not pay consequential or incidental damages under this warranty. By this we mean for example loss, expense, inconvenience or damages, other than to the flooring itself, that may result from a defect in the flooring. However, some jurisdictions do not allow exclusion or limitation of incidental or consequential damages, so the above limitation or exclusion may not apply to you.

We reserve the right to inspect the flooring and to remove samples for additional evaluation, if we consider this necessary. Any attempt to repair or replace the flooring without our consent will void this warranty.

The failure of either party to enforce any of the provisions of this warranty agreement shall not be construed as a waiver of such provision or a waiver of the right of any party thereafter to enforce each and every provision. This warranty gives you specific legal rights and you may also have other rights which vary from jurisdiction to jurisdiction. We will always respect these other rights.

No implied warranties extend beyond the term of this written warranty.

#### 4. What you should do if any of the above listed problems occur

You should notify the original dealer of the defect within 30 calendar days after you know/discover the defect and within the validity period of this warranty. Your dealer can answer your questions and, if necessary, start to process a claim. If your notification takes place outside this period, our warranty will not be applicable. In order to enjoy the warranty, you are obligated to present:

- A valid proof of purchase in the form of the sales receipt for the flooring and other accessories related to the installation which may affect the installation quality such as but not limited to adhesive, molding, underlay, moisture barrier, molding, etc.
- A detailed description of the defect and/or a photograph or sample of the flooring that clearly shows the defect. Provide additional information requested by the factory to understand the root cause of the issue.

#### 5. What we will do

If we honor a claim under this warranty, we will - at our sole discretion - repair or refinish the defective material or we will refund the price of the flooring. If the flooring was originally installed by a certified professional installer and if there is a justified claim within the first 36 months from the date of the original purchase, we will also pay the reasonable labor costs to perform the repair or replacement. This repair or replacement or refund will be a pro-rated percentage cost of the flooring and labor cost. This percentage is determined by the number of years remaining on the warranty and the length of the warranty. For example, if the claim is made 3 years after purchase on flooring warranted for 15 years, then 80% (12/15th) of the flooring cost will be considered.

This warranty is limited to the designs, colors, structures and styles available at the time of repair or replacement. If the original is no longer available, we have the right to substitute another design, color, structure and style that is similar to the original and that has a similar value. We will always try to take into account the wish of the customer.

# RC101 Velocity Specification Sheet

Product Type	Corex™ Rigid Core Luxury Vinyl
Material Composition Summary	Waterproof Rigid thermoplastic extruded vinyl composite
Length	Tile: 23.6"   Plank: 59.6"
Width	Tile: 11.8"   Plank: 8.8"
Total Thickness	5mm (Including 1mm EVA-C backing)
Wear Layer	.55mm (22 mil)
Edge Design	Beveled
Embossing	Tile: SK Stone Embossed   Plank: U-Embossed
Acclimation Time	12HR. Between 0 & 140 degrees. If the box was exposed to extreme temperatures.
Installation Type	Floating: Fall down (Tight lock)
Installation Area with no transitions (LF&SF)	4350 SF
IIC Ratings	69
Water Resistance	Yes
Approved for Basement Installations	Yes
Residential Warranty # of Years	Limited Lifetime
Commercial Warranty	10
Special Tools Needed	Spacers, Rubber Mallet, Ruler, Pencil, Tape Measure, Utility Knife.
Finish	2 layers UV cured acrylic coat reinforced with quartz particles
Prop 65 Compliant	Yes
Ortho Phthalate Free	Yes
Floor Score Certified	Yes
<b>Box</b>	
Pieces per Box	Tile: 13   Plank: 7
Square Feet per Box	Tile 25.19   Plank: 25.42
Weight per Box	Tile: 42.82   Plank: 43.22
<b>Pallet</b>	
Boxes per Pallet	Tile: 54   Plank: 51
Square Feet per Pallet	Tile: 1360.26   Plank: 1296.42
Weight per Pallet	Tile: 2312.28   Plank: 2204.22

## Plank Colors

<i>Color #</i>	<i>Color Name</i>	<i>Color #</i>	<i>Color Name</i>
201	Eagle Landing	218	Morning House
232	Cove Hollow	234	Sweet Tea
251	Lake Forest	252	River House
254	Canyon Gray	255	Crescent

## Tile Colors

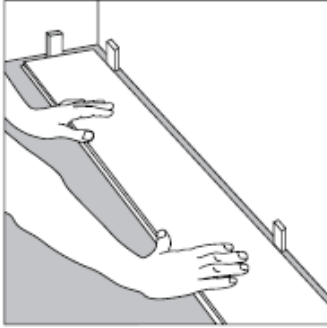
<i>Color #</i>	<i>Color Name</i>	<i>Color #</i>	<i>Color Name</i>
220	Sand	272	Inspired Gray



## RC101 Velocity Installation Guide

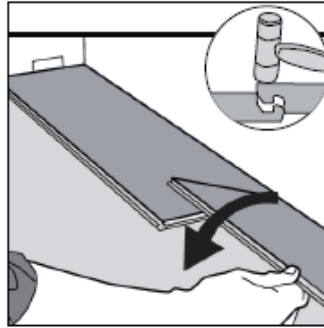
Installation Instructions	Instrucciones de Instalación
<p><b>Before You Start/ Preparations:</b> Please read all the instructions before you begin the installation. Improper installation will void warranty.</p>	<p><b>Antes de Empezar:</b> Por favor, lea todas las instrucciones antes de comenzar la instalación. Instalaciones incorrectas anularán la garantía.</p>
<p style="text-align: center;"><b>Important notice</b></p> <p>After installation, make sure to keep the room within a temperature range of 0°F to 140°F. Excessively high or low temperatures may cause this product to expand or contract and lead to visual defects of the floor that will not be warranted.</p> <p>Installation in areas with sustained direct sunlight: In cases where the flooring is in direct sunlight for much of the day (Sunrooms, etc.) it is recommended that the planks be glued down in those spots/areas. The planks are still clicked together as per the floating installation instructions, but an approved premium Luxury Vinyl flooring adhesive should be used in areas as needed. Be sure to follow the adhesive manufacturer's instructions, including correct trowel size.</p> <p>For the best result, make sure to always work from 2 to 3 cartons at a time mixing the planks during the installation.</p>	<p style="text-align: center;"><b>Aviso importante</b></p> <p>Después de la instalación asegúrese de mantener el cuarto a una temperatura de entre 60°F a 80°F. Temperaturas muy altas o bajas pueden causar una expansión o contracción de este producto y, por lo tanto, la aparición de defectos visuales no entrarán en garantía.</p> <p>Instalación en áreas con luz solar directa: En los casos donde el suelo está en directa exposición a la luz solar por largo tiempo (cuartos acristalados, etc.) Es recomendable el uso de adhesivo al instalar las planchas en esas áreas. Las planchas deben ser enganchadas entre ellas con el clic como se muestra en las instrucciones de la instalación flotante, pero un adhesivo aprobado de alta calidad para piso Vinílico de Lujo debe ser usado en las áreas donde sea necesario. De seguir las instrucciones del fabricante de pegamento, incluyendo la correcta medida de la paleta.</p> <p>Para un mejor resultado, asegúrese de usar siempre planchas de 2 o 3 cajas mezclándolas en el momento de la instalación.</p>
<p>Calculate the room surface prior to installation and plan an extra 10% of flooring for cutting waste.</p> <p>If the boxes of flooring were exposed over 2 hours to extreme temperatures (under 50°F or over 100°F) within the 12 hours before the installation, acclimation is required. In this case, keep the boards in room temperature for at least 12 hours in unopened package before you start the installation. The room temperature must be maintained consistent between 0°to 140°F before and during installation.</p> <p>For floor surfaces exceeding 4000 ft<sup>2</sup> and or lengths exceeding 60 ft, use expansion moldings.</p> <p>Inspect your subfloor before you begin. It must be clean and level to 3/16" within a 10 ft span.</p> <p>Although this floor is waterproof, it is not aimed to be used as a moisture barrier. The subfloor must be dry (max 2.5% moisture content - CM method). This product is also not to be installed in areas that have a risk of flooding such as saunas or outdoor areas.</p> <p>If this flooring is intended to be installed over an existing wooden floor, it is recommended to repair any loose boards or squeaks before you begin the installation.</p> <p>With a floating floor you must always ensure you leave a 1/4" gap between walls and fixtures such as pipes and pillars, stairs, etc. These gaps will be covered with trim</p>	<p>Calcule la superficie de la habitación antes de la instalación y prepare un 10% adicional de planchas para cortes residuales.</p> <p>Si las cajas fueron expuestas por más de 2 horas a temperaturas extremas ( Bajo 50°F o mas de 100°F) Dentro de las 12 horas antes de la instalación, la aclimatación será necesaria. En este caso, mantenga las planchas a la temperatura del cuarto por lo menos por 12 horas con la caja cerrada antes de la instalación. La temperatura del cuarto debe mantenerse constante entre 60°F a 80°F antes y durante la instalación.</p> <p>Para superficies superiores a 4000 ft<sup>2</sup> y/o longitudes superiores a 66 ft<sup>2</sup>, debe utilizar juntas de expansión.</p> <p>Inspeccione su subsuelo antes de empezar. Debe estar limpio y nivelado a 3/16" en tramos de 10 ft.</p> <p>Si se pretende instalar este piso sobre un piso existente de madera, se recomienda reparar cualquier tabla suelta o chirridos antes de comenzar la instalación.</p> <p>Con un piso flotante usted siempre debe asegurarse de dejar 1/4" entre las paredes y las partes fijas tales como tuberías y pilares, escaleras, etc. Estos espacios se cubrirán con molduras una vez instaladas las planchas. Nota: Cuando se instala alrededor de tuberías, perforo agujeros de 3/4 " mayor al diámetro de las tuberías.</p>

<p>moldings after the floor is installed. Tip: When installing around pipes, drill the holes 3/4" larger than the diameter of the pipes.</p> <p>Decide the installation direction. It is recommended to install the length direction of the planks parallel to the main light direction.</p> <p>Measure the area to be installed: The board width of the last row shall not be less than 2". If so, adjust the width of the first row to be installed. In narrow hallways, it is recommended to install the floor parallel to the length of the hall.</p> <p>Inspect each individual plank one by one before installation. No claims on surface defects will be accepted after installation.</p> <p>Due to the speed of sudden temperature changes, which has the potential to negatively affect this flooring, it is not recommended to install over any electrical radiant heating system. Installation over electrical radiant heating systems will not be covered by the manufacturer's warranty. Below instructions are for radiant heating systems using water.</p>	<p>Decida la dirección de instalación. Se recomienda realizar la instalación del largo de las planchas en paralelo a la dirección del principal foco de luz.</p> <p>Mida el área donde va a ser instalado: El ancho de la tabla de la última fila no deberá ser inferior a 2". Si es así, ajuste el ancho de la primera fila para un óptima instalación. En pasillos estrechos se recomienda instalar el piso en paralelo a la longitud del mismo.</p> <p>Inspeccione cada plancha una por una antes de la instalación. No se aceptan reclamos de defectos en la superficie después de la instalación.</p> <p>Debido a los cambios bruscos de temperatura, lo cual puede potencialmente de afectar negativamente estos pisos, no se recomienda su instalación sobre sistemas eléctricos de calefacción. La instalación sobre sistemas eléctricos de calefacción no será cubierta por la garantía del fabricante. Las instrucciones siguientes son para sistemas de calefacción de agua.</p>
<p>Ensure the radiant heat surface temperature never exceeds 81°F. Before installing over newly constructed radiant heat systems, operate the system at maximum capacity to force any residual moisture from the cementitious topping of the radiant heat system. The maximum moisture content of the screed is 1.5% (CM method). Shut down the floor heating at least 48 hours prior to installation. Make sure that the temperature in the room is at least 60°F during installation. It is recommended that the radiant heat be applied in a gradual manner after installing the floor. Refer to the radiant heat system's manufacturer recommendations for additional guidance.</p>	<p>Asegúrese de que la temperatura de la superficie caliente nunca supere los 81°F. Antes de instalar sobre sistemas de calefacción nuevos, encienda el sistema a su máxima capacidad para eliminar la humedad residual del relleno de cemento. La humedad máxima de la superficie caliente debe ser 1,5% (método CM). Apague la calefacción por lo menos 48 horas antes de la instalación. Asegúrese de que la temperatura de la habitación sea de al menos 60°F durante la instalación. Se recomienda que el calor de la calefacción sea gradual después de instalar el piso. Consulte con el fabricante de su sistema de calefacción para una orientación adicional.</p>
<p>Tools and supplies required:</p> <ul style="list-style-type: none"> <li>• Spacers</li> <li>• Rubber Mallet</li> <li>• Ruler</li> <li>• Pencil</li> <li>• Tape Measure</li> <li>• Utility Knife</li> </ul>	<p>Herramientas y artículos necesarios</p> <ul style="list-style-type: none"> <li>• Espaciadores</li> <li>• Mazo de goma</li> <li>• Regla</li> <li>• Lápiz</li> <li>• Cinta de medir</li> <li>• Cuchillo</li> </ul>



① After thoroughly cleaning the subfloor, you should begin laying in the left-hand corner. Place the floorboard 1/4" from the left wall. Use spacers between the wall and the floorboard.

Luego de limpiar bien el subsuelo, comience colocando en la esquina el piso a 1/4" de la pared. Utilice espaciadores entre la pared y el piso.

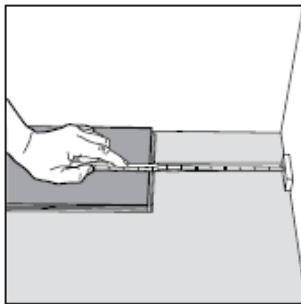


② Second Plank, first row. Drop the plank and gently press down the end with a rubber mallet so it firmly locks into the previous plank until both are at the same height. Make sure both planks are perfectly aligned. NOTE: If you notice both planks aren't at the same height or are not well locked together, please follow the disassembling instructions at the bottom of the page, disassemble and check if any debris stuck inside the lock is obstructing.

Segundo Tablón, primera fila. Deje caer la tabla y suavemente presione hacia abajo el extremo con un martillo de goma para que quede firmemente ajustada con la tabla anterior, ambos deben de estar en la misma altura. Asegúrese de que ambas tablas estén perfectamente alineadas. NOTA: Si observa ambas tablas no están a la misma altura o no están bien encajados juntos, por favor, siga las instrucciones de desmontaje en la parte inferior de la página, desmonte y compruebe si hay algo obstruyendo el cierre.

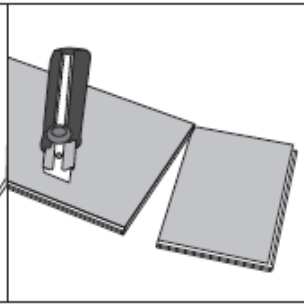
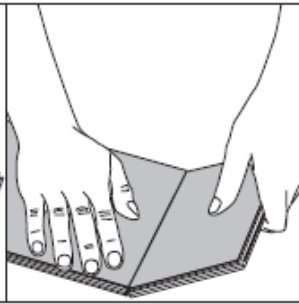
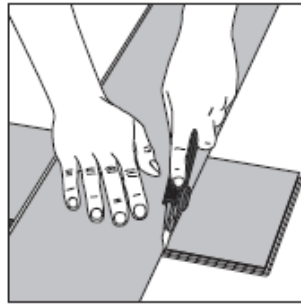
③ **WARNING:** FAILURE TO PROPERLY LINE UP THE END JOINT AND ATTEMPTING TO FORCE IT IN WHILE OUT OF ALIGNMENT COULD RESULT IN PERMANENT DAMAGE TO THE END JOINT.

**ATENCIÓN:** EL NO ALINEAR LAS PLANCHAS APROPIADAMENTE Y TRATAR DE FORZARLAS PUEDE CAUSAR DAÑOS PERMANENTES A LAS JUNTAS DEL PRODUCTO.



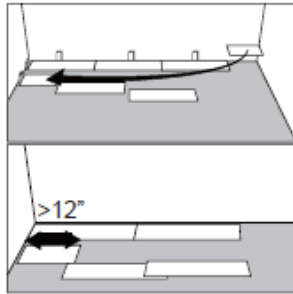
④ At the end of the first row, leave an expansion gap of 1/4" to the wall and measure the length of the last plank to fit.

Al final de la ultima línea, dejar un espacio de 1/4" de la pared y medir el largo de la ultima plancha a encajar.



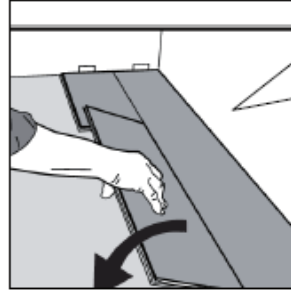
⑤ To cut the plank, use a simple utility knife and ruler, and with the top side facing up, cut heavily and several times on the same axis. The knife will not go through the surface but make a deep cut. You can then lift one half of the plank using your other hand to hold down the second placing it very close to the cut. The plank will split naturally.

Para cortar la plancha, use un cuchillo y una regla, y con la cara hacia arriba, cortar duro y repitiendo varias veces en la misma parte. El cuchillo no traspasará la superficie pero hará un corte profundo. Luego se puede levantar una mitad de plancha usando la otra mano para sostener abajo la otra mitad, muy cerca del corte. Así la plancha se separará naturalmente.



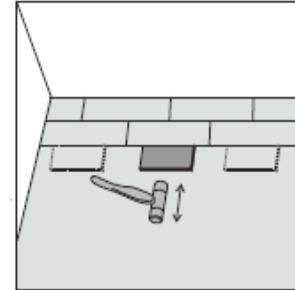
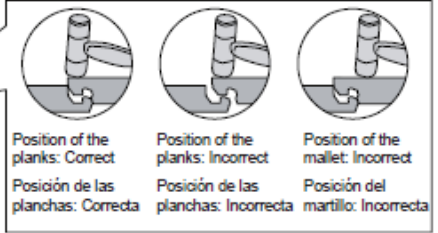
- ⑥ Start the second row with the leftover cut part of the last plank of the previous row. This small plank should measure at least 12". Otherwise, use another plank that should be cut in two. The end joints of each adjoining row should not be closer than 8" to each other.

Comience la segunda fila con la parte cortada de la última tabla de la fila anterior. Este pequeño tablón debe medir al menos 12". De lo contrario, puede usar otro de los tablonos y debe cortarlo en dos. En cualquier la distancia entre las juntas de los extremos de cada fila contigua no debe ser menor de 8".



- ⑦ Click the long side of the plank into the previous row and place it tight to the short end of the previous plank with an angle of 30 degrees. Drop the plank and gently press down the end with a rubber mallet so it firmly locks into the previous plank until both are at the same height. Make sure both planks are perfectly aligned. NOTE: If you notice both planks aren't at the same height or are not well locked together, please follow the disassembling instructions at the bottom of the page, disassemble and check if any debris stuck inside the lock is obstructing.

Conecte las tablas en el lado largo de la tablas en la fila anterior y colocar ajustado al extremo corto de la tabla anterior. Deje caer gentilmente la tabla y presione el extremo con un mazo de goma para que quede firmemente fijada en la tabla anterior asegurándose de que ambas tablas estén perfectamente alineados. NOTA: Si observa ambas tablas no están a la misma altura o no están bien encajados juntos, por favor, siga las instrucciones de desmontaje en la parte inferior de la página, desmonte y compruebe si hay algo obstruyendo el cierre..

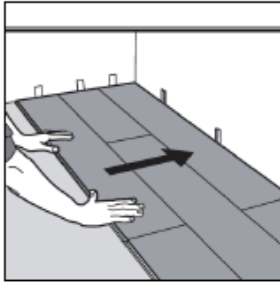


#### Helpful Hint

- ⑧ After finishing the installation of the row, use scrap pieces and a small hammer or rubber mallet to gently tap the planks into the click of the previous row to make sure they are tightly clicked together and make sure there is no gap between the long side of the planks installed. ANY GAPPING CAN COMPROMISE THE WHOLE INSTALLATION.

#### Consejo útil

Una vez finalizada la instalación ángulo ángulo de la fila, use trozos residuales y un pequeño martillo o un mazo de goma para golpear ligeramente las planchas dentro del clic de la fila anterior y así asegurar que están estrechamente colocadas dentro del clic y que no hay espacio a lo largo de las planchas instaladas. CUALQUIER ESPACIO ENTRE LAS PLANCHAS PUEDE COMPROMETER TODA LA INSTALACIÓN.



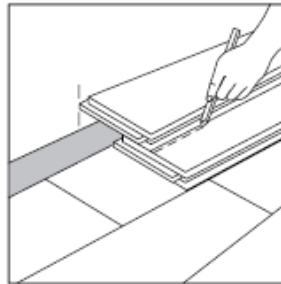
- ⑨ After 2-3 rows. Adjust the distance to the front wall by leaving an expansion gap of 1/4". Always ensure that the end joints are staggered at least 8", both when in the same row as when from one row to the next one.

Después de 2 filas, ajuste la distancia frente a la pared, dejando un espacio de expansión de 1/4". Después de 2-3 filas. Asegúrese siempre que de los extremos de los pisos estén escalonadas al menos 8", tanto cuando está en la misma fila y cuando están en la siguiente fila.



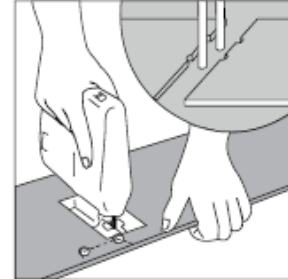
- ⑫ Door molding and skirting: lay a board (with the decorative side down) next to the door molding and as shown in the figure. Then slide the floorboard under molding.

Puerta y zócalo: colocar una tabla (con el lado decorativo hacia abajo) junto a la moldura de la puerta, como se muestra en la figura. Luego, deslice el piso bajo la puerta.



- ⑩ To lay the last row: position a loose board exactly on top of the last row laid. Place another board on top, with the tongue side touching the wall. Draw a line along the edge of this boards, to mark the first board. Cut along this line to obtain of the required width. Insert this cut board against the wall. The last row should be at least 2" wide. The spacers can then be removed.

Para instalar la última fila: posicionar una tabla suelta exactamente en la parte superior de la última fila. Coloque la otra tabla en la parte superior, el lado de la lengüeta tocando la pared. Dibuje una línea a lo largo del borde estas tablas, con el propósito de marcar la primera tabla. Corte a lo largo de la línea para obtener el ancho requerido. Inserte esta tabla cortada contra la pared. La última fila debe ser de al menos 2" de ancho. Los espaciadores se podrán retirar.



- ⑪ Holes for pipes: measure the diameter of the pipe and drill a hole that is 7/8" larger. Saw off a piece as shown in the figure and lay the board in place on the floor. Then lay the sawed-off piece in place.

Agujeros para tuberías: medir el diámetro de la tubería y perforar un agujero de 7/8" de más. Serruche un pedazo, como se muestra en la figura y ponga la placa en su sitio. Luego, coloque la pieza recortada en su lugar.

## Maintenance

- Sweep or vacuum daily using soft bristle attachments.
- Clean up spills and excessive liquids immediately.
- Damp mop as needed and use cleaners recommended with no-wax or oil
- Protect floor from constant direct sunlight. Close blinds or drapes during peak sunlight hours
- Use proper floor protection devices such as felt protectors under furniture
- Use a mat at entrance ways (please ensure the mat doesn't have rubber backing).
- Do not use abrasive cleaners, bleach or wax to maintain the floor.
- Do not drag or slide heavy objects across the floor

## Mantenimiento

- Barrer o aspirar a diario.
- Limpiar derrames y exceso de líquidos inmediatamente.
- Un trapero húmedo se puede usar cuando sea necesario; use productos de limpieza recomendados sin cera ni aceite.
- Proteger el suelo de constante luz solar directa. Cerrar cortinas y persianas durante las horas de más sol.
- Utilice la protección adecuada para pisos como trozo de alfombras debajo de los muebles.
- Hay disponibles molduras de coordinación para terminar el trabajo donde se necesitan ajustes de transición.
- No usar limpiadores abrasivos, cloro o cera para la manutención del suelo.
- No arrastre o deslice objetos pesados sobre el piso.

## Disassembling / Desmontaje



Separate the whole row by lifting it up delicately at an angle. To separate the planks, leave them flat on the ground and slide them apart. If planks do not separate easy, you can slightly lift up the planks (5°) when sliding them apart.

Separate toda la fila levantándola con delicadeza en un ángulo. Para separar los tablonces, colóquelos en el suelo y sepárelos. Si las planchas no se separan fácilmente, puede levantar ligeramente las planchas a unos 5 grados cuando las esté separando.